

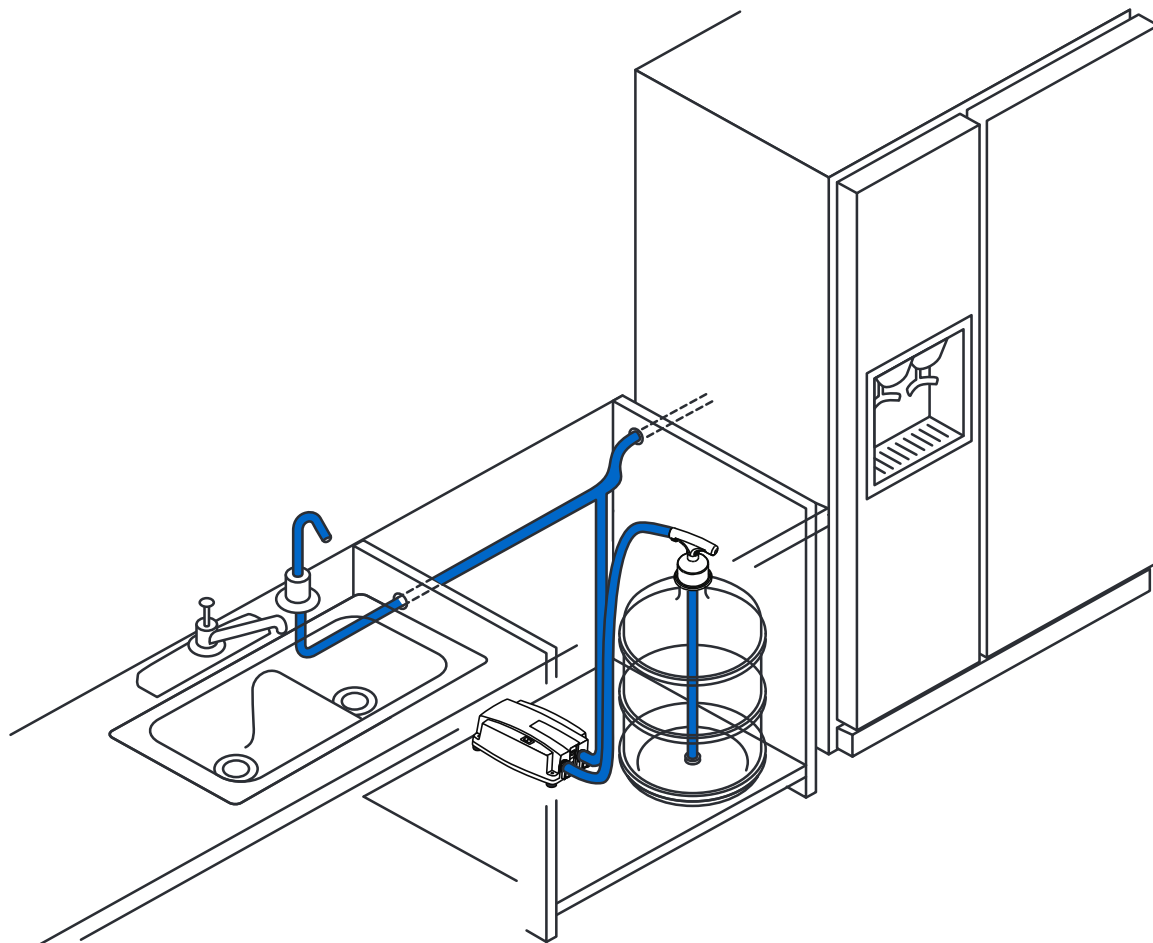


FLOJET

a xylem brand

BottledWaterSystem

5000 SERIES





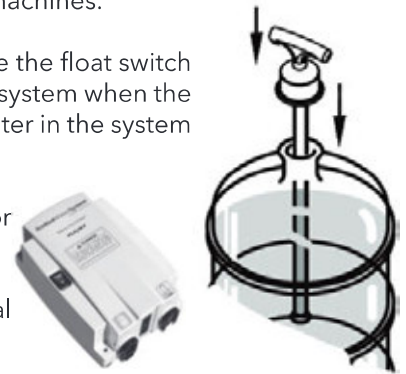
HOW THE SYSTEM WORKS

The 5000 Series Bottled Water System by Flojet is designed to pump purified water from commercially available 5-gallon purified water bottles. The system will deliver the water under pressure to an individual drinking water faucet, the water inlet of a refrigerator for the icemaker and chilled drinking water tap, to a faucet in portable sinks and to certain personal use and commercial use coffee / tea brewers / espresso machines.

When the suction wand is inserted into the standard 5-gallon bottle, it will activate the float switch on the end of the wand and turn on the pump. This same float switch shuts off the system when the bottle is empty. The wand has a built in back-flow preventor valve that prevents water in the system from flowing back into the bottle, or spilling while changing bottles.

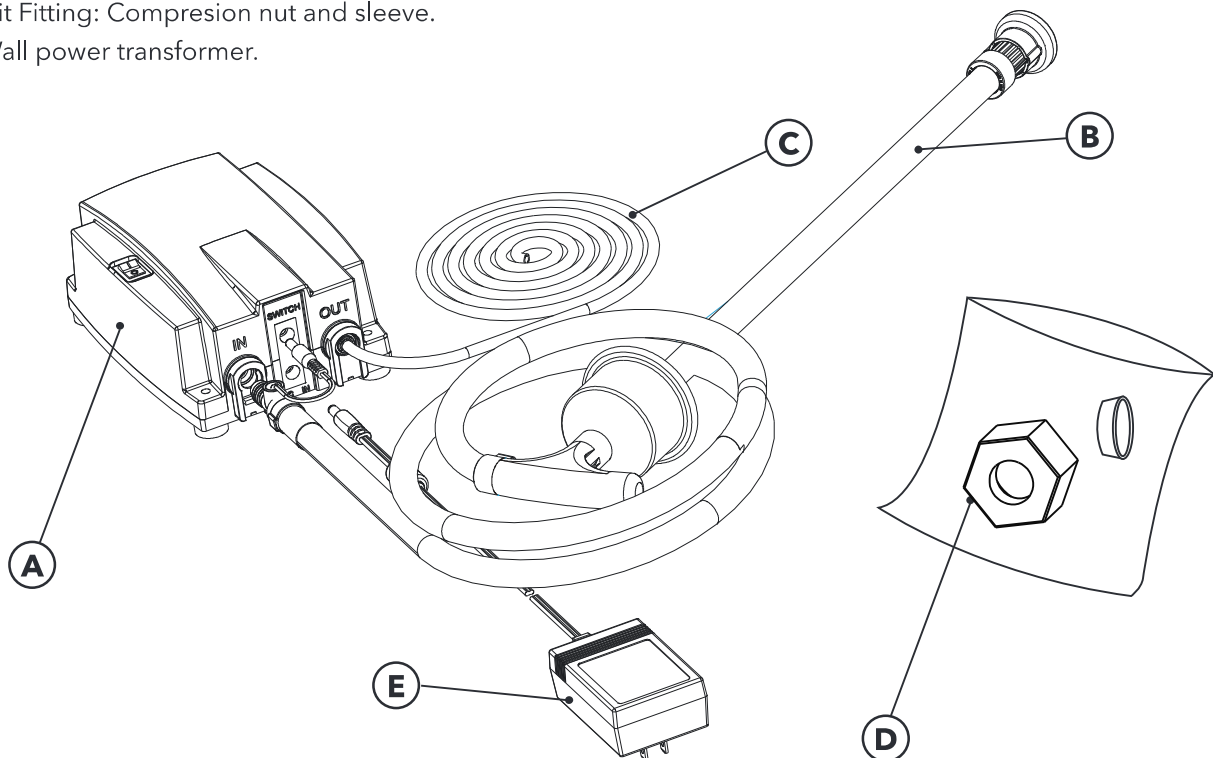
The heart of the system is the main module that automatically fills an appliance or dispenses water through a faucet when there is demand.

The system is equipped with an automatic thermal cut-off device for additional protection.



INVENTORY OF SYSTEM COMPONENTS

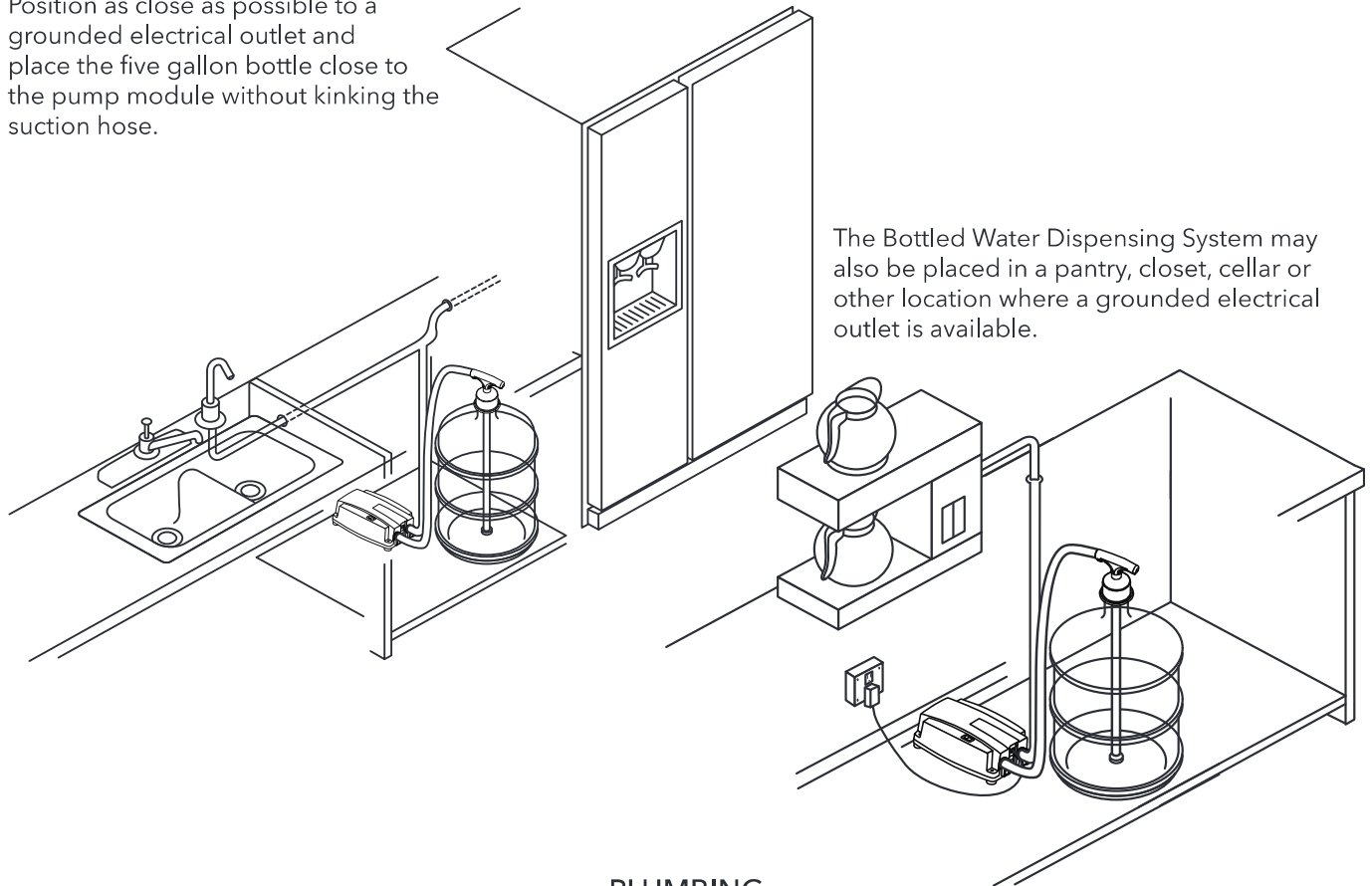
- A.** Main module with On/Off rocker switch.
- B.** Suction Wand and Hose Assembly
- C.** 20 ft (6.1m) of 1/4 in. (6.35mm) Discharge Tube
- D.** Kit Fitting: Compression nut and sleeve.
- E.** Wall power transformer.





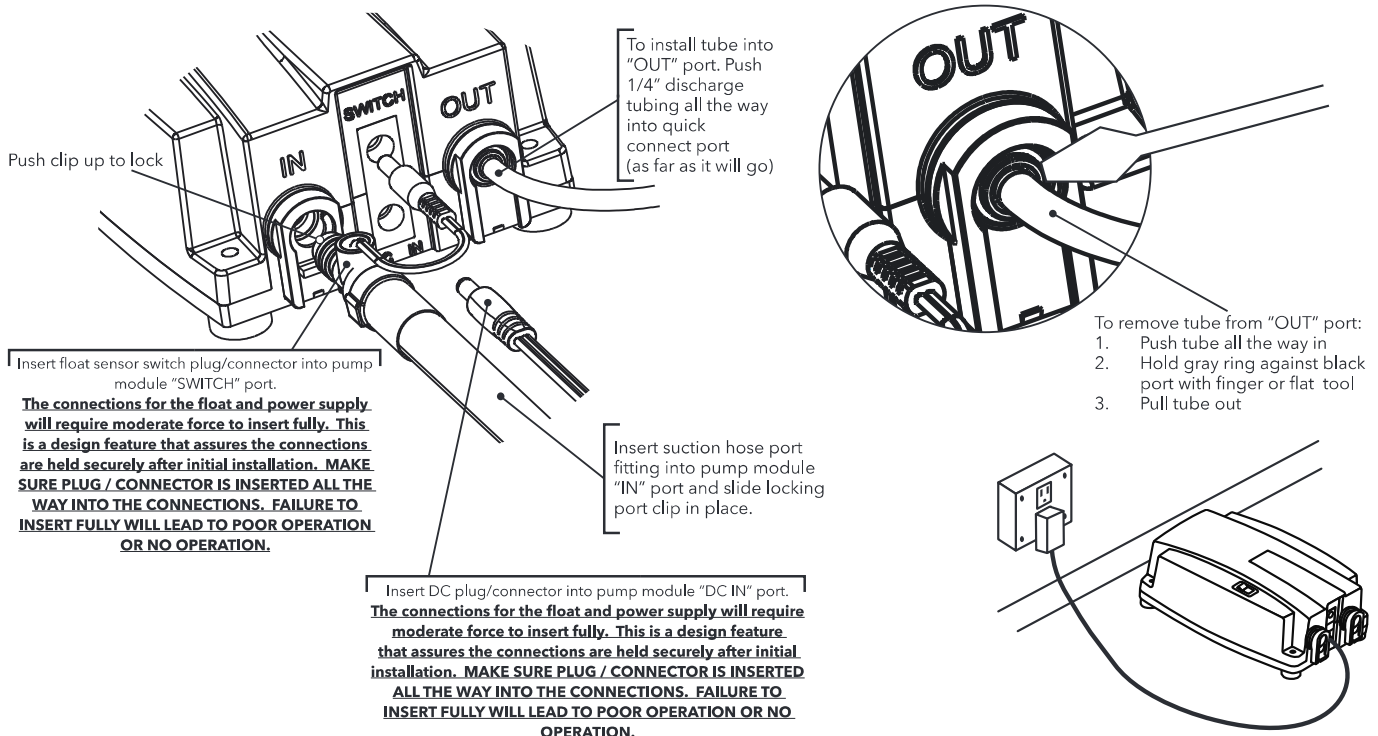
PLUMBING INSTALLATION

Select a cabinet large enough to accommodate the 5 gallon (19L) bottle and suction wand assembly. Place the pump module on the floor of the cabinet with on/off switch and suction tube facing out toward the cabinet doors. Position as close as possible to a grounded electrical outlet and place the five gallon bottle close to the pump module without kinking the suction hose.



The Bottled Water Dispensing System may also be placed in a pantry, closet, cellar or other location where a grounded electrical outlet is available.

PLUMBING





PLUMBING

There is 20 ft. (6.1 m) of 1/4 in. (6.35 mm) O.D. polyethylene tubing supplied with the FLOJET Bottled Water Dispensing System. Carefully measure the distance between the pump module outlet and the appliance water inlet or optional faucet, and cut the tubing clean and square to prevent fitting leaks. If the refrigerator and faucet are being connected, use 1/4 in. (6.35 mm) tube "T" fitting and place it in an accessible location. Push the cleanly cut tubing end into the pump module outlet port, past the o-ring to tube stop. Route tubing to the refrigerator water valve and connect it to the water inlet valve in the back of the refrigerator by using the tube connector fitting. First slip nut over the tube, then place the ferrule over the tube, then install onto the refrigerator water valve fitting and tighten.



CAUTION: DO NOT USE COPPER TUBING WITH ANY MODEL OF FLOJET BOTTLED WATER DISPENSING SYSTEMS

For installation and use with commercial coffee and tea brewing equipment:

Many commercial coffee and tea brewing machines can be connected to a water supply line. Ensure that you have a 1/4 in. (6.35 mm) I.D. connection fitting at the water inlet that can accept the supplied 1/4 in. (6.35 mm) O.D. tubing. These brewing machines have a factory installed device that restricts incoming water to a safe pressure that won't damage the brewing machine. This device is usually referred to as an inlet pressure regulator or flow restrictor. If you intend to use the Flojet BW system with one of these brewing machines, you should remove the brewing machine's inlet restrictor device. Consult the brewing machine manufacturer for details. Failure to remove the brewing machine's restrictor may cause the Flojet BW series pump to cycle itself off and on repeatedly, leading to premature motor failure of the Flojet BW unit. This type of failure is not covered under warranty. Use of filter devices with your commercial brewer is unnecessary; see below

For installation on refrigerators with ice making and/or water dispensing functions:

Do not use any external filtration devices. These will cause the pump to over-cycle, possibly causing premature pump failure, not covered under warranty. If your refrigerator has factory installed internal filtration that must remain in place as part of the water line, this too may cause over-cycling resulting in pump failure. Contact the refrigerator maker and inquire about obtaining an empty or dummy filter housing for use instead of the standard filter model. If none is available, the use of a small accumulator tank will be necessary. You may order Flojet P/N 30573002B, tank, and P/N 20381-064, fitting kit. Please contact Flojet for more information.

ELECTRICAL



WARNING: Risk of Electrical Shock!



Follow all local electrical and safety codes.

Make sure power source conforms to the voltage on the power adapter provided with the Bottled Water System.

Electrical installation

Electrical Hazard:



WARNING: Make sure that all connections are performed by qualified installation technicians and in compliance with the regulations in force.



WARNING: Before starting work on the unit, make sure that the unit and the control panel are isolated from the power supply and cannot be energized.

Installation:



WARNING:

- Observe accident prevention regulations in force.
- Use suitable equipment and protection.
- Always refer to the local and/or national regulations, legislation, and codes in force regarding the selection of the installation site, plumbing, and power connections.

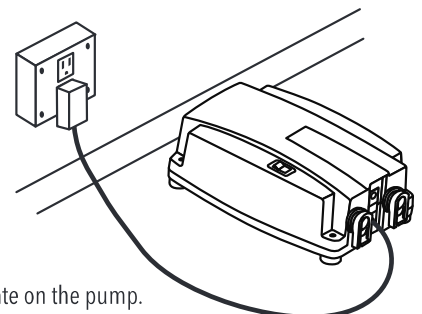
Electrical requirements:

The local regulations in force overrule specified requirements listed below.

Electrical connection checklist

Check that the following requirements are met:

- The electrical leads are protected from high temperature, vibrations, and collisions.
- The current type and voltage of mains connection must correspond to the specifications on the data plate on the pump.

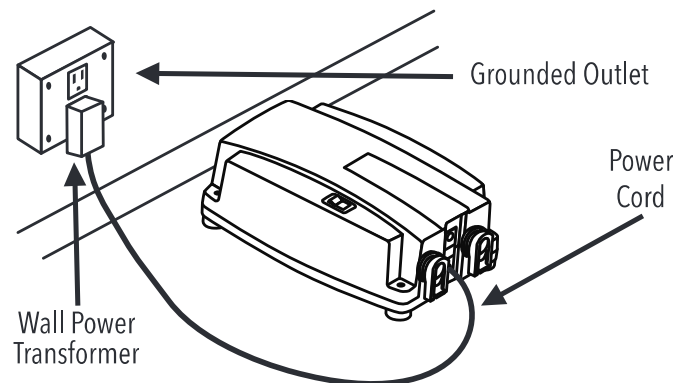




SUCTION WAND INSTALLATION

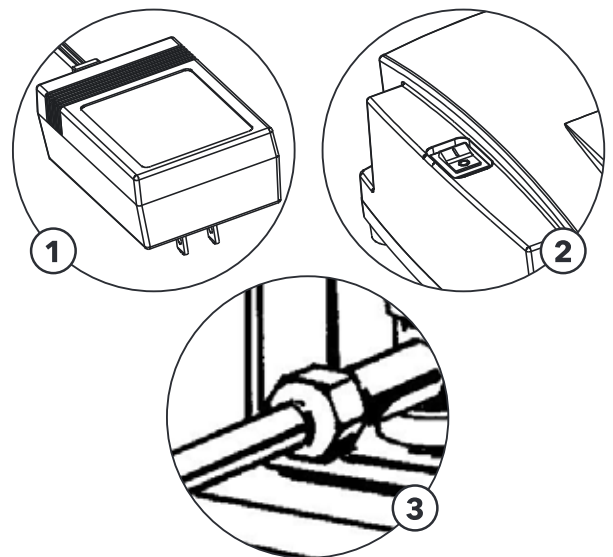
SANITIZE BOTTLED WATER SYSTEM AND WAND BEFORE INSERTING WAND INTO BOTTLE. To install the suction wand into standard 5 gallon bottle, place bottle close to system and remove bottle cap, then install suction wand into bottle. (Note: If bottle is over filled, dispense enough water to allow the suction wand to be installed to the bottom of the bottle). Push suction wand bottle cap over bottle and push wand to bottom center of bottle.

SYSTEM START-UP



Before the Bottled Water Dispensing System is put into service, the system should be sanitized by following the maintenance and sanitation clean in-place procedure.

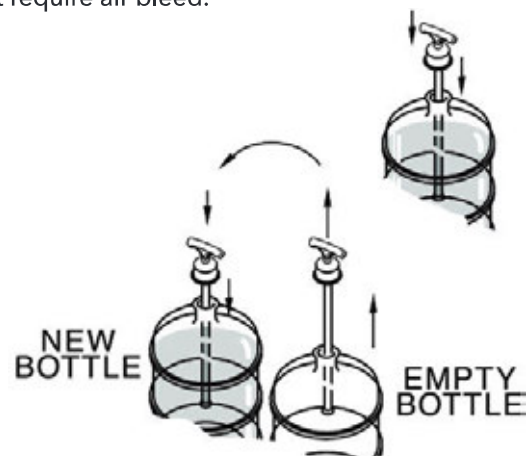
1. Connect Power Adapter to suitable AC Power Outlet. and connect low voltage connector to "DC IN" port on main unit.
2. Power Switch "ON".
3. Follow manufacturer's plumbing and operating instructions when connecting commercial coffee and Tea Brewers and refrigerators / Ice makers.
4. BLEED AIR FROM SYSTEM: Turn pump switch "ON". Water will begin to flow. Operate the system for 30 seconds to 1 minute into a 2-1/2 gallon pail. When the air is successfully purged from the system, a steady laminar flow of water will stream out the end of the hose.



NOTE: Air Bleed required only on start up. Changing bottles will not require air bleed.

SUCTION WAND REMOVAL AND CHANGING BOTTLES

Before removing suction wand from empty bottle, move bottle to an open area outside of cabinet. Put new bottle next to empty bottle, clean neck and cap area with detergent, and remove cap. Remove suction wand from empty bottle by lifting wand cap with a rocking motion and pull cap off bottle, sliding suction wand out of the bottle and place directly into new bottle while sliding cap over new bottle neck.



Do not place suction wand on floor, counter, or sink as this could contaminate the suction wand assembly. If bottle is over filled, dispense enough water to allow the suction wand to be pushed to bottom of bottle.



MAINTENANCE AND SANITATION

Equipment Required

- Two (2) 2 1/2 Gallon (9.6L) Household Pails.
- One (1) Roll of Paper Towels.
- One (1) Small Container of Household Bleach.
- Gloves / Glasses.

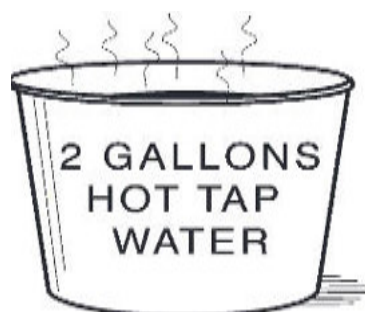
Warning: Use the correct strength of bleach. If too much is used then there could be taste issues.

Clean In-Place Procedure

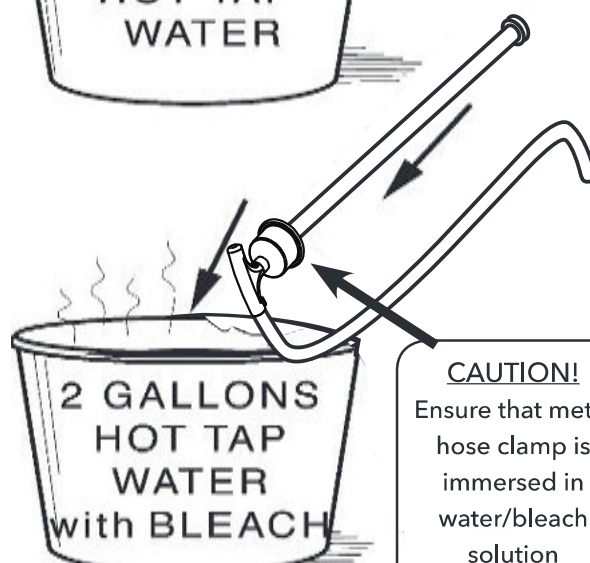
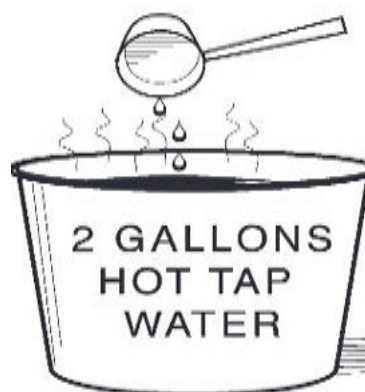
- Sanitize unit before first use.**
Using the on/off switch on the front of the enclosure, turn Bottled Water Dispensing System off by putting the switch in the off position.
- Cleaning should be performed at least six (6) times per year. System should be cleaned and flushed with fresh water if stagnant for more than 48 hours.
- Fill a clean pail (A) with two (2) gallons of hot tap water (135°F/57.2°C), adding one (1) ounce of household bleach.
- Remove the suction wand from the pure water bottle and submerge the bottle cap end into pail (A), taking care to ensure that the metal hose clamp connecting the hose to the suction wand(s) is/are totally immersed in the water/bleach solution, for ten minutes and then wash underside of cap and suction tube exterior with a clean paper towel. If using the optional Flojet faucet, disconnect the tubing. Remove the faucet, immersing it in the water/bleach solution for ten minutes. Wash the faucet exterior with clean paper towel; install the faucet and reconnect the tubing. Place suction wand into clean empty pail (B) and dispose of solution in pail (A).
- Refill the cleaned pail (A) with two (2) gallons of hot tap water (135°F/57.2°C) adding one (1) ounce of household bleach and place suction wand(s) into pail with bottle cap up.
- Disconnect the discharge tube from the faucet or the refrigerator and place into the empty second pail (B). (Do not use pail with clean water and chlorine solution).
- Turn dispensing system on, by placing on/off switch in the on position and dispense all of the chlorine solution into pail (B). Place discharge tube into pail (A) and dispose of bleach, and rinse pail (B). Replace tube into pail (B).
- Refill pail (A) with two (2) gallons of hot tap water (135°F/ 57.2°C), adding one (1) ounce (29.57 mm) of household bleach. Dispense bleach as in step #6.
- Reinstall suction wand(s) into new bottle(s) of pure water and reconnect discharge tube into refrigerator or faucet and dispense 12 to 18 ounces (355 ml to 532 ml) of water, or until bleach taste is removed.

CAUTION

Do not place Bottled Water Dispensing System into a dishwasher as it will cause electrical failure of pump and controls.



CAUTION!
135°F (57.2°C)
Maximum Water
Temperature



CAUTION!
Ensure that metal
hose clamp is
immersed in
water/bleach
solution



FLOJET

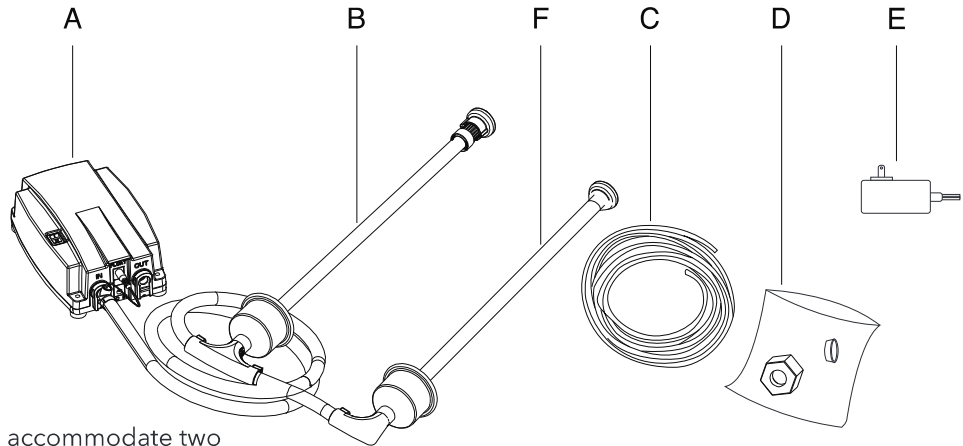
a xylem brand

Dual Inlet Bottled Water System Installation and Maintenance Instruction Insert

(To be released in near future)

INVENTORY OF SYSTEM COMPONENTS

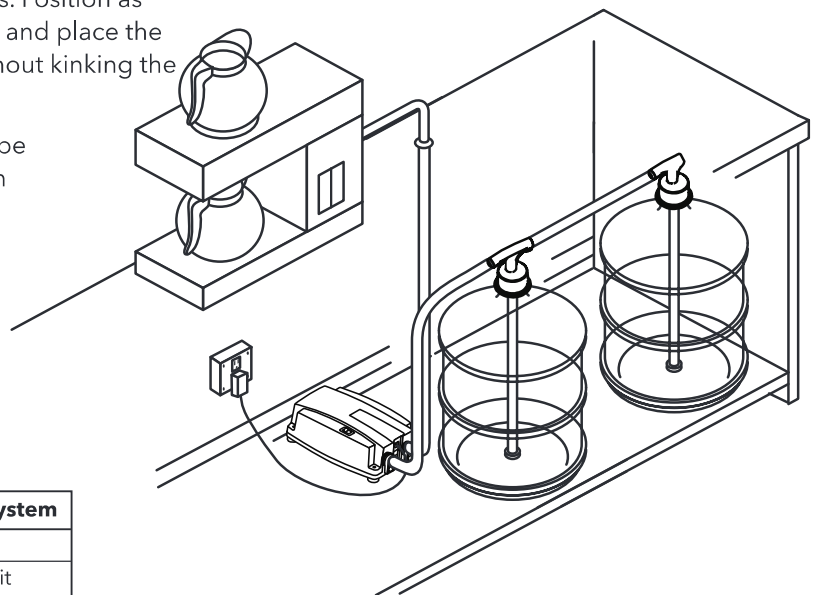
- A. Pump Module with On/Off Rocker Switch, 3.5 ft (1 m) cord.
- B. Suction Wand and Hose Assembly.
- C. 20 ft. (6.1 m) of 1/4 in. (6.35 mm) Discharge Tube.
- D. Kit Fitting: Compression nut and sleeve.
- E. Wall power transformer.
- F. Auxiliary feed tube.



MOUNTING OF SYSTEM

Select a cabinet large enough to accommodate two (2) five gallon bottles and suction wands assemblies. Two bottles can be maximum sixteen inches apart. Place the Pump Module on the floor of the cabinet with on/off switch and suction tube facing out toward the cabinet doors. Position as close as possible to a grounded electrical outlet and place the five gallon bottle close to the Pump Module without kinking the suction hose.

The Bottled Water Dispensing System may also be placed in a pantry, closet, cellar or other location where a grounded electrical outlet is available.



Replacement Parts for 5000 Series Bottled Water System	
Model Number	Description
21000738A	5000 Series BW Single Inlet Wand Kit
21000739A	5000 Series BW Dual Inlet Wand Kit
20465010	1/4" Discharge hose/tube Kit
20465035	5000 Series BW Nut & Sleeve
20465015	US Power Transformer Kit
20465020	AU Power Transformer Kit
20465025	UK Power Transformer Kit
20465030	EU Power Transformer Kit



TROUBLESHOOTING

System Will Not Dispense Water

- Check on/off switch position
- Check power to dispensing system
- Check location of suction wand in bottle
- Check for empty bottle
- Check for air in system

Discharge Tube Leaks At Fitting

- Push tube all the way into tube stop
- Remove tube and cut 1/4 in. (6.35 mm) off end, square and reinstall
- Check correct tube size in fitting, tube size is 1/4 in. (6.35 mm) O.D. Fitting 1/4 in. (6.35 mm) I.D.

System Gets warm and turns off

- Check the float switch
- Check for leaks in discharge tube
- Thermal protection feature is activated due to excessive run time. This system is not for continuous duty applications

System Will Not Shut-Off

- Check for leaks in tubing system
- Check for leaks at tube fittings
- Check for leaks at faucet, ice maker or refrigerator water valve
- Check pressure switch by turning faucet off and on
- Check float switch position in bottle

System Continually Turns Off and On While in Use

- Check for restriction device at appliance inlet.
- Check for filter unit in line, remove if present.
- Check for internal filters in the refrigerator, remove if present.