

Insurice Twin-i2000² System

Delivers premium quality water for ice applications



APPLICATIONS

Ice machines

Cubers 1,450 lbs./day

Flakers 2,200 lbs./day

FEATURES AND BENEFITS

Reduces ice machine problems caused by scale build-up from dirt and dissolved minerals*.

New and improved Micro-Pure II media inhibits the growth of bacteria.

Reduces chlorine taste and odor and other offensive contaminants.

Reduces maintenance and service costs by reducing scale* and clogging of distribution lines, evaporator plate and pump.

Precoat submicron technology reduces dirt and particles as small as 1/2 micron in size and reduces health contaminants such as cysts.

Manifold features water shut-off, flushing valve and outlet pressure gauge.

Sanitary cartridge replacement is simple, quick and clean. Internal filter parts are never exposed to handling or contamination.

NSF Certified under NSF/ANSI Standards 42 & 53.

*As tested by Everpure

OPERATIONAL TIPS

Change cartridges on a regular 6 month preventative maintenance program.

Change cartridges when capacity is reached or when pressure falls below 10 psi.

Service flow rate must not exceed 3.34 gpm.

Always flush the filter cartridge at time of installation and cartridge change.

Everpure water treatment systems (excluding replaceable elements) are covered by a limited warranty against defects in material and workmanship for a period of five years after date of purchase. Everpure replaceable elements (filter cartridges and water treatment cartridges) are covered by a limited warranty against defects in material and workmanship for a period of one year after date of purchase. See printed warranty for details. Everpure will provide a copy of the warranty upon request.



Insurice Twin-i2000² System: EV9324-02
i2000² Replacement Cartridge: EV9612-22

SPECIFICATIONS

Overall Dimensions:	25.26" H x 16.6" W x 5.5" D (64.1 x 42.1 x 13.9 cm)
Inlet Connection:	3/4"
Outlet Connection:	3/4"
Service Flow Rate:	Maximum 3.34 gpm (12.6 Lpm)
Rated Capacity:	18,000 gallons (68,137 L)
Pressure Requirements:	10 – 125 psi (0.7 – 8.6 bar), non-shock
Temperature:	35 – 100°F (2 – 38°C)
Electrical Connection:	None
Shipping Weight:	12 lbs. (5.4 kg)
Operating Weight:	18 lbs. (8.1 kg)

Insurice Twin-i2000² System

EV9324-02

INSTALLATION TIPS

Choose a mounting location suitable to support the full weight of the system when operating.

Never use saddle valve for connection.

Use 3/4" water line.

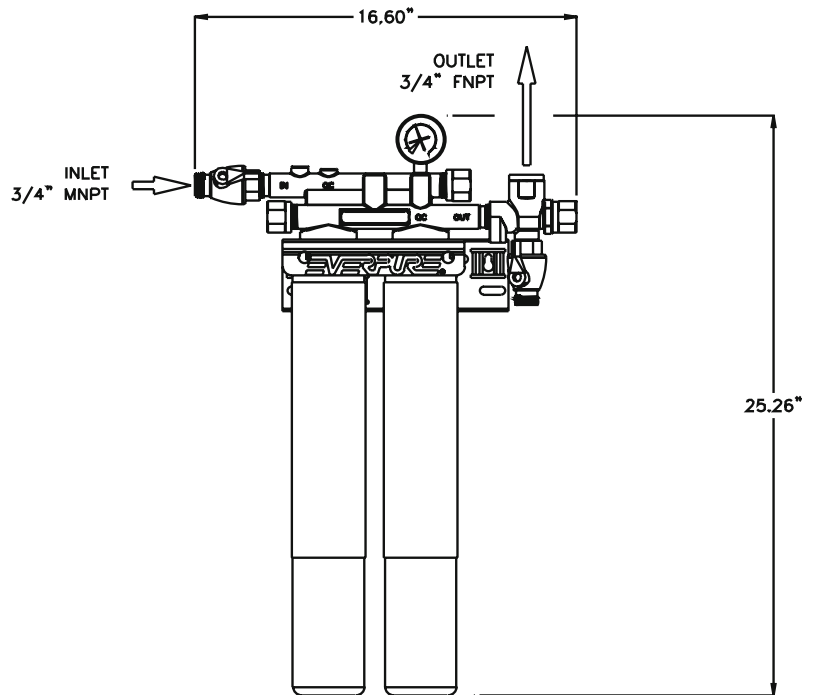
Do not connect system to water-cooled condenser.

Install vertically with cartridges hanging down and allow 2-1/2" clearance below the cartridge for easy cartridge replacement.

Flush cartridges by running water through system for five minutes at full flow.

The contaminants or other substances removed or reduced by this drinking water system are not necessarily in your water. Do not use with water that is microbiologically unsafe or of unknown quality without adequate disinfection before or after the system. Systems certified for cyst reduction may be used with disinfected water that may contain filterable cysts.

EVERPURE reserves the right to update specifications, change prices, or make substitutions without notice.



System Tested and Certified by NSF International against NSF/ANSI Standard 42 and 53 for the reduction of:

Standard No. 42 Aesthetic Effects
Chemical Unit
Taste and Odor Reduction
Chlorine Reduction
Mechanical Filtration Unit
Particulate Reduction, Class I
Standard No. 53: Health Effects
Mechanical Filtration Unit
Turbidity Reduction
Cyst Reduction
Asbestos Reduction



Liberty

Ersatzteile & Zubehör

Liberty Vertriebs GmbH
Bonner Straße 103
40589 Düsseldorf

Tel.: 0211-753520
Fax.: 0211-753575

Internet: www.libertyshop.de
Email: verkauf@libertyshop.de