

# QC71 Twin Parallel Head

Filter head exclusively for Everpure replacement cartridges



## APPLICATIONS

Foodservice

## FEATURES AND BENEFITS

New redesigned commercial quality filter head for Everpure filter cartridges.

Dual filter head is parallel plumbed.

Built-in water shut off valve and flushing valve makes cartridge change outs easy.

A cartridge nesting feature provides a more secure and durable fit.

Includes mounting box bracket and screws for fast and easy installation. No extra mounting plate is required.

Built-in water pressure gauge helps monitor proper flow.

New modular design of box bracket allows for future retrofitting of add-on components without disassembly of system. Optional wing bracket kits available.

All wetted parts have passed NSF extraction tests.

Engineered for durability, strength and longevity.

Corrosion resistant hardware.

## OPERATIONAL TIPS

Change cartridges on a regular 6 month preventative maintenance program.

Change cartridges when capacity is reached or when pressure decreases.

Always flush the filter cartridge at time of installation and cartridge change.

Everpure water treatment systems (excluding replaceable elements) are covered by a limited warranty against defects in material and workmanship for a period of five years after date of purchase. Everpure replaceable elements (filter cartridges and water treatment cartridges) are covered by a limited warranty against defects in material and workmanship for a period of one year after date of purchase. See printed warranty for details. Everpure will provide a copy of the warranty upon request.



QC71 Twin Parallel Head: EV9272-22

## SPECIFICATIONS

<b>Overall Dimensions:</b>	8.5" H x 16.6" W x 5.5" D (21.6 x 42.2 x 13.9 cm)
<b>Inlet Connection</b>	3/4"
<b>Outlet Connection:</b>	3/4"
<b>Rated Capacity:</b>	Varies according to filter cartridge used
<b>Electrical Connection:</b>	None
<b>Shipping Weight:</b>	2 lbs. (0.91 Kg)

# QC71 Twin Parallel Head

## EV9272-22

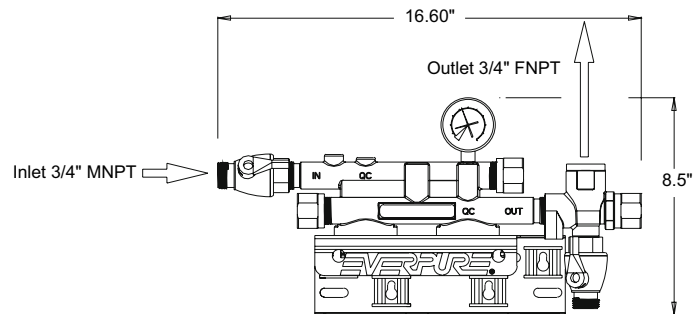
### INSTALLATION TIPS

Mounts directly onto flat surface.

Install vertically so cartridge hangs down.

Allow 2-1/2" clearance below the cartridge for easy cartridge replacement.

Flush filter by running water through filter according to cartridge instructions.



*EVERPURE reserves the right to update specifications, change prices, or make substitutions without notice.*



**Liberty**  
Ersatzteile & Zubehör

Liberty Vertriebs GmbH  
Bonner Straße 103  
40589 Düsseldorf

Tel.: 0211-753520  
Fax.: 0211-753575

Internet: [www.libertyshop.de](http://www.libertyshop.de)  
Email: [verkauf@libertyshop.de](mailto:verkauf@libertyshop.de)